

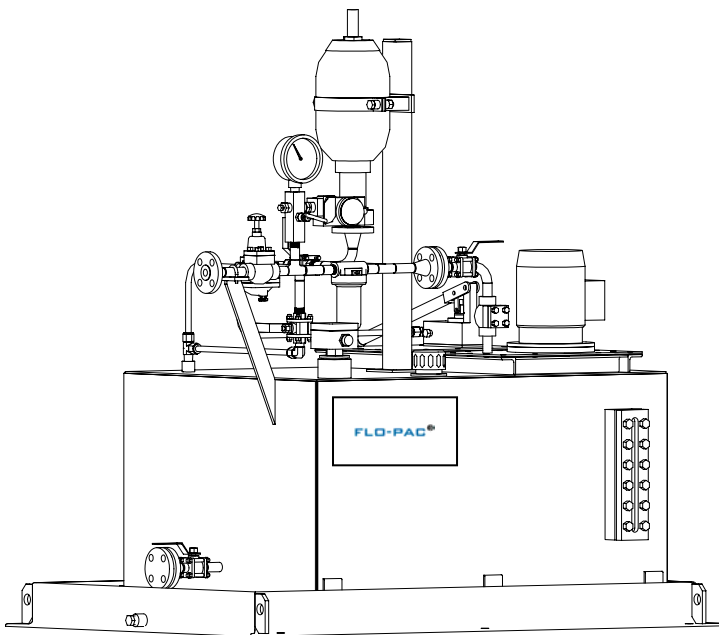
**Automated Make-up/Topping unit** for refilling operations with (non-) pressurised seal flushing systems.

**FLO-PAC<sup>®</sup> type HDS**

(The HDS-300 is an automated make-up/refill unit, well suited for its duty and attractively priced. For an even more economical solution, please ask for the Flo-Pac manually operated HMS series)



The HDS-300 unit is specifically engineered to suit refilling operations of the entire range of pressurised or non-pressurised Flo-Pac<sup>®</sup> Seal flushing systems, yet it can easily be applied with other systems as well. Its smart packaged design and the use of an electrically driven liquid supply pump combines smooth and easy operation with a long and reliable service lifetime. Its modular design allows for easy and economical incorporation of the standard available options or any specific client requirements. This unit shows no undesirable pressure pulsations as often seen with air driven make-up units and does not require exhausting physical efforts in using hand pumps.



**Standard configuration:**

- ☑ A 300 ltr. stainless steel reservoir, open to atmosphere with filler/breather, and a slope bottom and drain, mounted on a base frame with slope dripping plate with drain.
- ☑ One liquid supply pump complete with a Ex – zone 2 driver. Power supply 400 VAC – 3Ph – 50Hz. Suction provided with suction filter, discharge provided with non-return-, safety- and process block valves.
- ☑ Bladder accumulator of 4 Ltr. for smooth and reliable operation.
- ☑ Complete with pressure control valve for fine-tuning.
- ☑ Complete with level switch for low level monitoring.
- ☑ Complete with level gauge for level monitoring.
- ☑ Complete with pressure switch for low pressure monitoring.
- ☑ Complete with pressure indicator for pressure monitoring.
- ☑ All pressure instruments mounted onto a stainless steel block and bleed valve, complete with bleed plug.
- ☑ Complete with 10 micron Inline filter with fouling indicator.
- ☑ Complete with filler/breather.

**Optional – please consult :**

- ☐ To ensure functionality even during a main power failure or other causes of pump malfunction, the unit can be fitted with a Micropac<sup>®</sup> hand pump, 50cc/ full stroke, for back-up.

**Nozzle data:**

N1	ANSI 1/2"-300# -Sch.40	To seal systems
----	------------------------	-----------------

